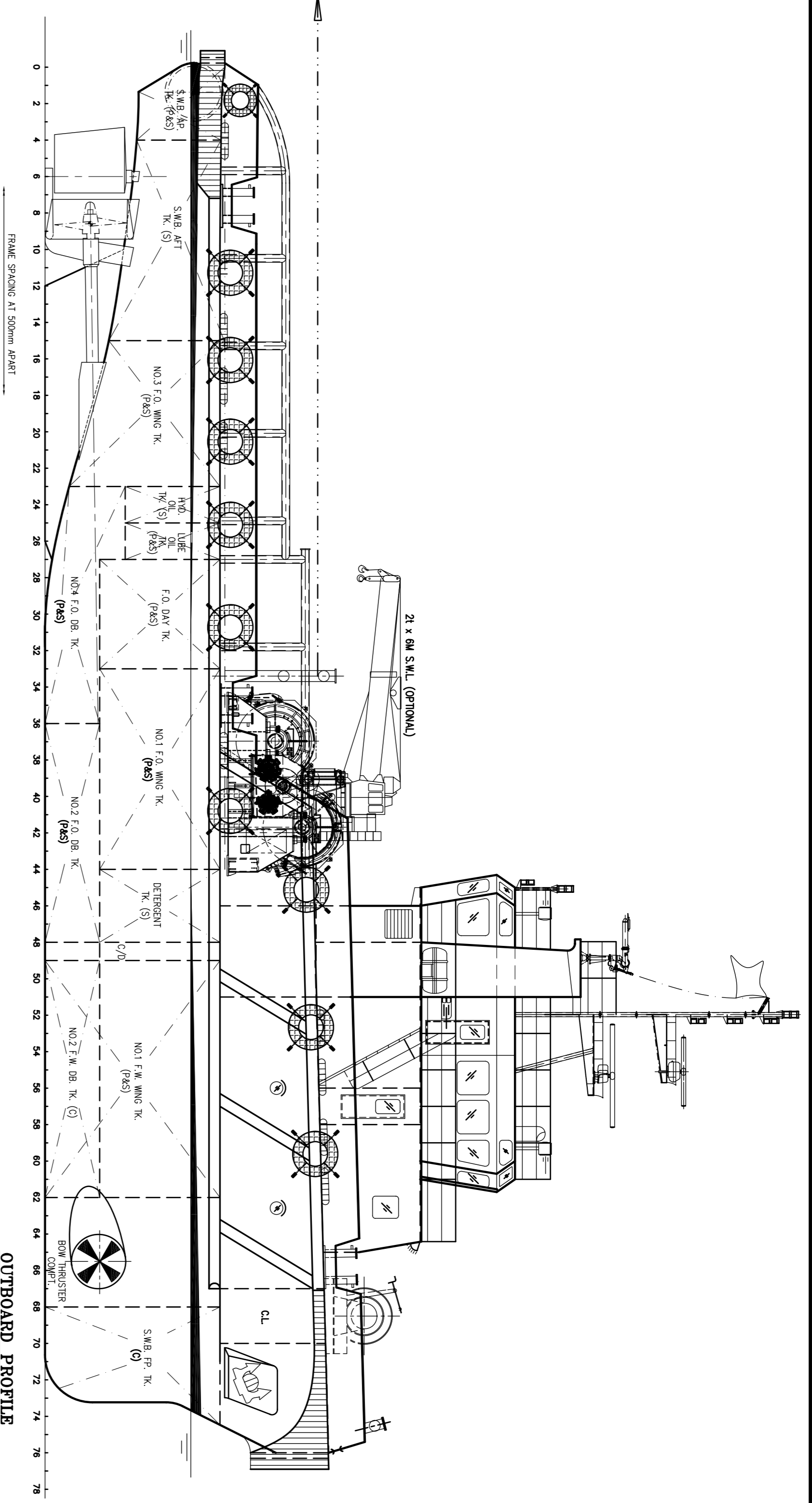
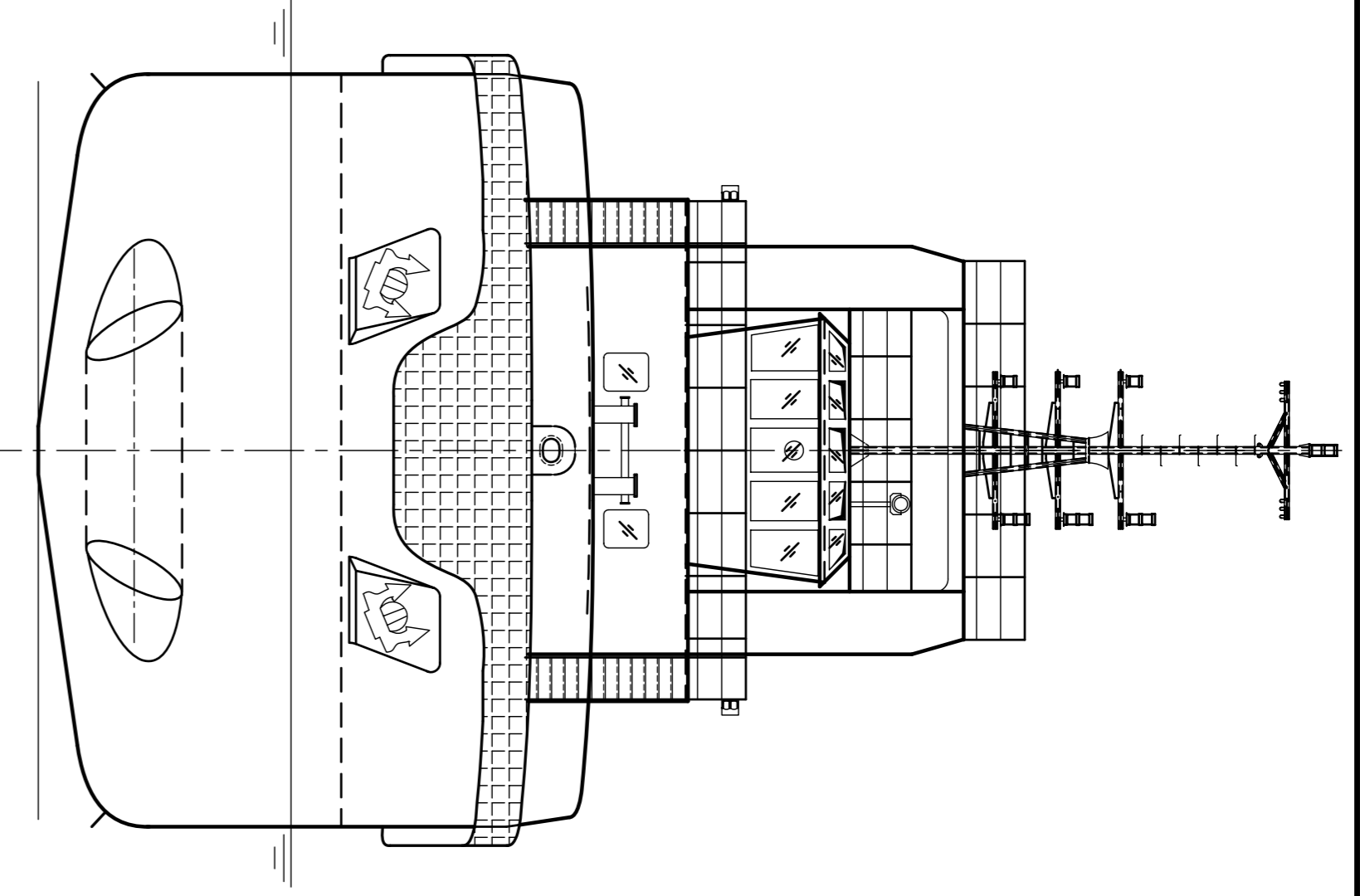


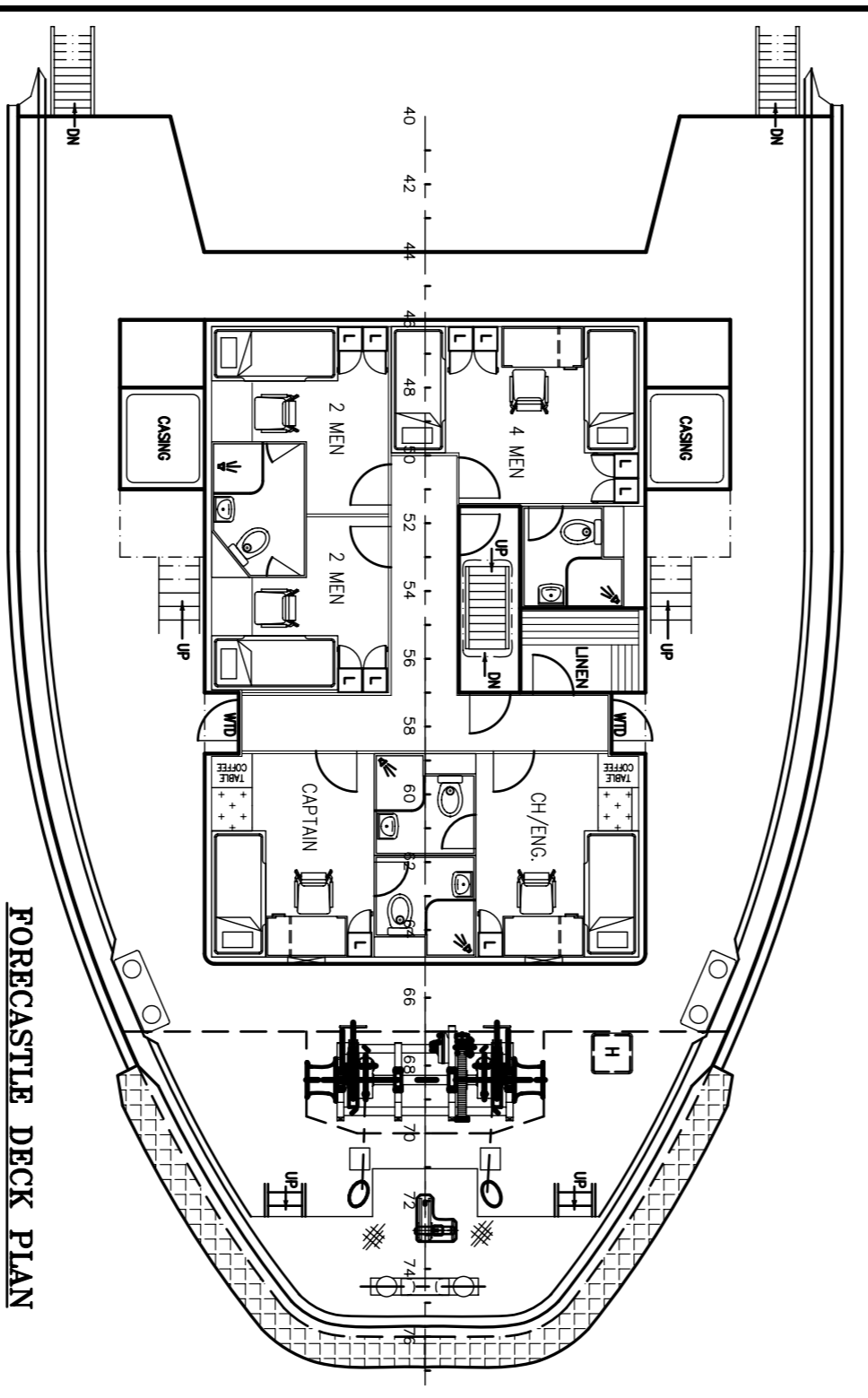
STERN VIEW



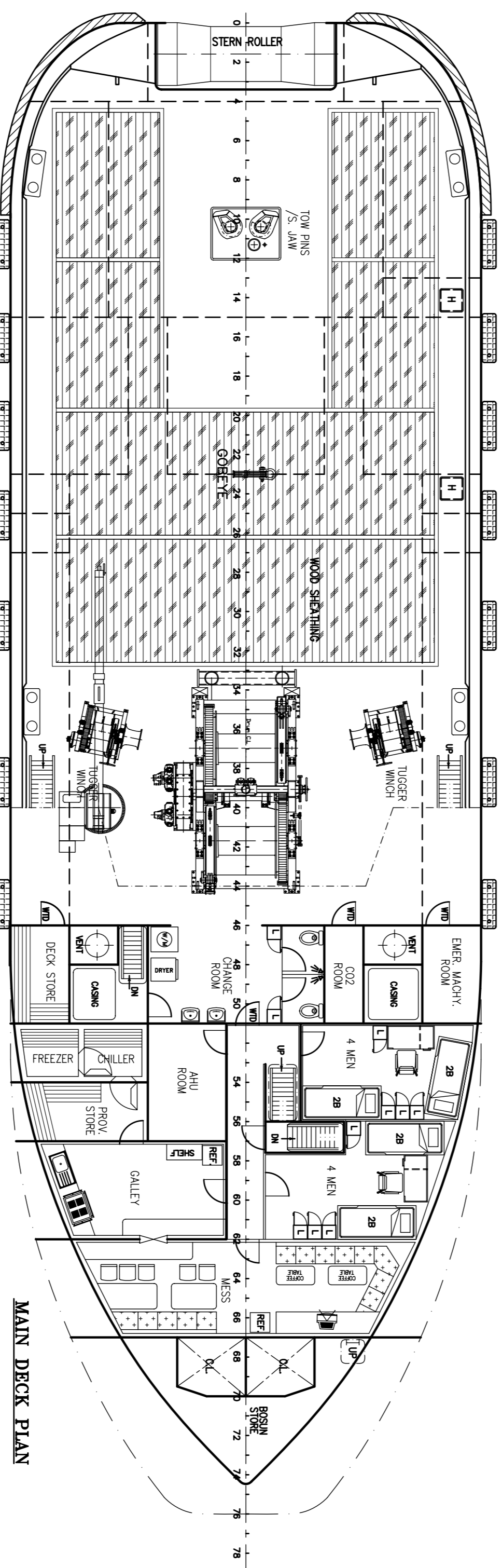
OUTBOARD PROFILE



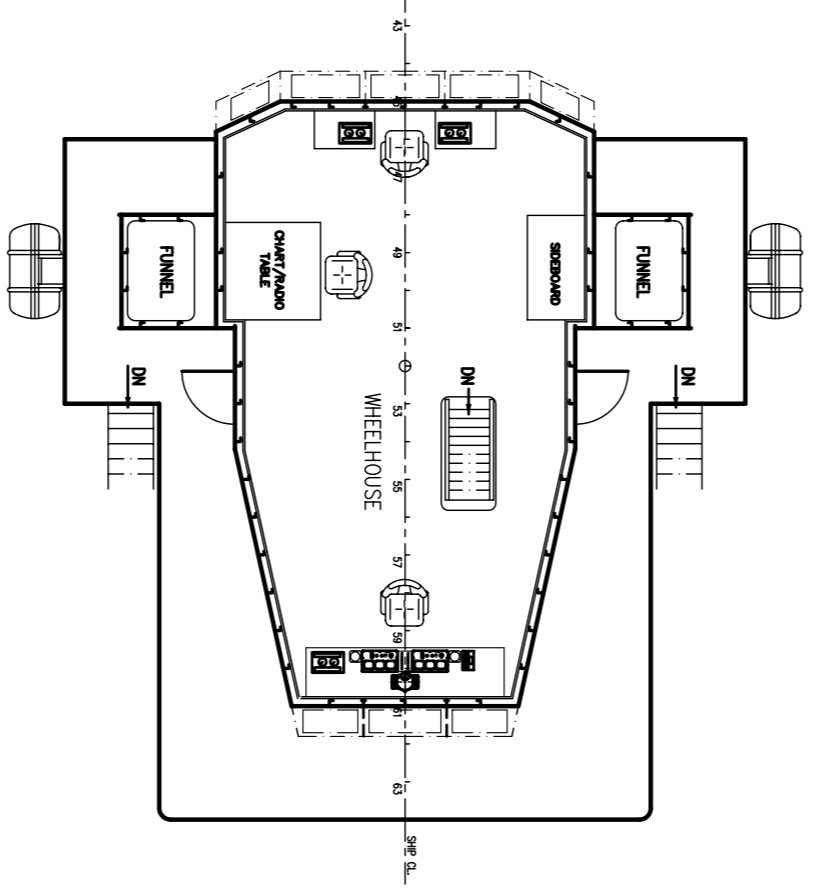
FRONT VIEW



FORECASTLE DECK PLAN



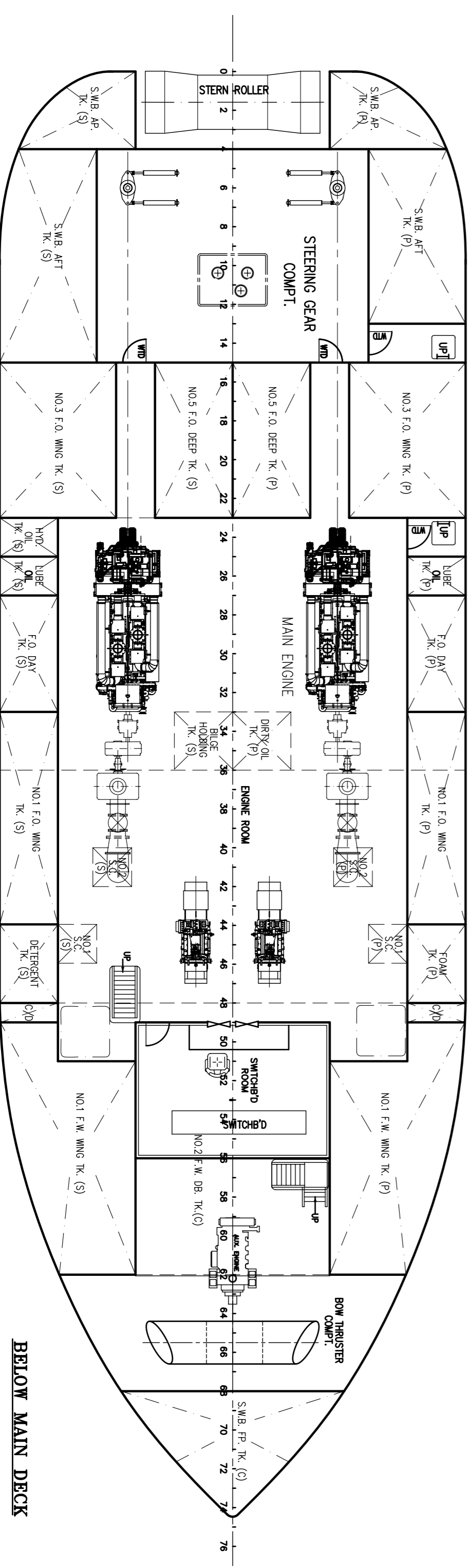
MAIN DECK PLAN



WHEELHOUSE DECK

PRINCIPAL DIMENSIONS

| | | |
|----------------------|---------|--------------|
| LENGTH OVERALL | 38.00 M | 18 MEN |
| LENGTH WATERLINE | 36.30 M | 320.0 TONNES |
| LENGTH B.P. | 33.40 M | 150.0 TONNES |
| BREADTH MOULDED | 11.80 M | 4400 BHP |
| DEPTH MOULDED | 4.80 M | 12.0 KNOTS |
| DESIGN DRAFT MOULDED | 3.80 M | 60.0 TONNES |
| COMPLEMENT | | |
| FUEL OIL | | |
| FRESH WATER | | |
| TOTAL POWER | | |
| TRIAL SPEED | | |
| BOLLARD PULL (AHEAD) | | |



BELOW MAIN DECK

THIS DOCUMENT AND THE INFORMATION IT CONTAINS IS THE PROPERTY OF KHIAM CHUAN MARINE PTE LTD. IT IS NOT TO BE COPIED OR REPRODUCED IN ANY MANNER WITHOUT THE WRITTEN CONSENT OF KHIAM CHUAN MARINE PTE LTD.

| | | | |
|----------------|------------------------------------|-------|----------------|
| PROJECT | 38m TWIN SCREW ANCHOR HANDLING TUG | | |
| TITLE | GENERAL ARRANGEMENT | | |
| CLASSIFICATION | SSS122 | | |
| DRAWN | CHECKED | SCALE | DRAWING NUMBER |
| ZHANG | | 1:100 | KCM/0386(0)-G1 |
| DATE | BY | DATE | REV. |
| | | | - |

KHIAM CHUAN MARINE PTE LTD
 15, HILLVIEW TERRACE, SINGAPORE 669226
 TEL: 67753363 (6 LINES) FAX: 67753788
 EMAIL: khiamchuan@kcm.com.sg